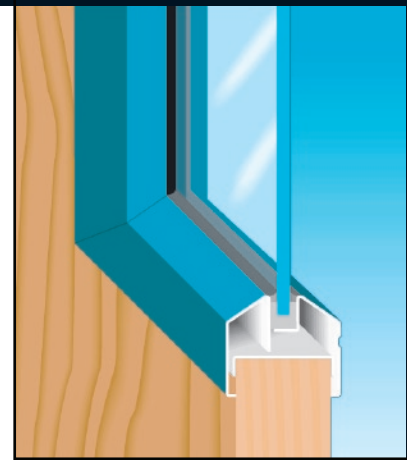


Clear Wireless Safety and Fire-Rated Glazing Solution for 20 Minute Applications

SuperLite I is the first wireless, monolithic, safety and fire-rated glazing manufactured in the USA, offering excellent clarity with colorless and distortion-free optics. SuperLite I was developed and priced to replace existing traditional wired glass installations, now recognized by international code bodies as unsafe. SuperLite I remains the choice for use in construction where high impact safety and 20 minute fire ratings are required.



SuperLite I in Vision Kit Frame



FIRE RATED



IMPACT RATED



THERMAL SHOCK



POSITIVE PRESSURE

SuperLite I Product Features

- Meets highest federal impact safety standard, Consumer Product Safety Commission 16CFR 1201 Cat. II, which requires withstanding 400 ft. lbs. of impact.
- Survives thermal shock from sprinklers.
- Positive Pressure fire rated.
- 1/4" (7mm) for standard hollow metal or up to 1/2" (14mm) where wind or structural requirements are a consideration.
- Manufactured in the USA for fast delivery.
- For use in steel, wood, aluminum, or any equally fire-rated framing system.
- Can be insulated or lightly sandblasted.

Fire Rating	Application	Max. Lite Area	Max. "W"	Max. "H"	Stops	Testing
20 minutes	Doors	3,436 sq. in.	36-3/4"	95-1/2"	5/8"	
20 minutes	Sidelites	3,965 sq. in.	48-1/4"	109"	5/8"	
20 minutes	Windows / Transoms	3,965 sq. in.	48-1/4"	109"	5/8"	

Product Specifications

Thickness: 1/4" (7mm) standard
Weight: 3.0 lbs./sq. ft.
Appearance: Clear, wireless
Light Transmission: 89.5%
STC Rating: 28



Listed and Labeled

SuperLite I is listed and labeled with positive pressure by Intertek/Warnock Hersey, Inc. Intertek/Warnock Hersey permanent labels are applied to all lites.



Standards

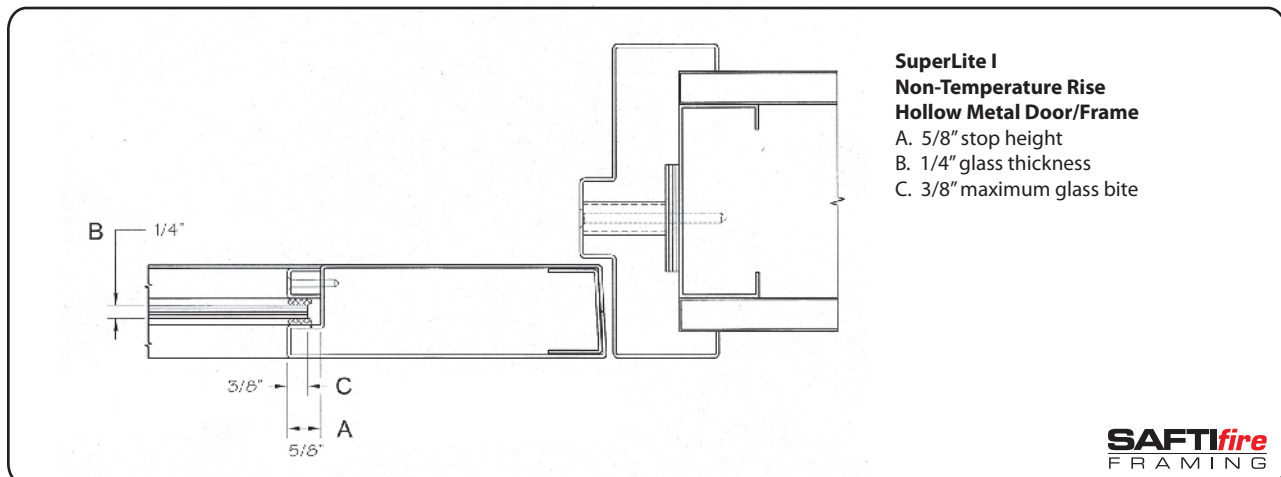
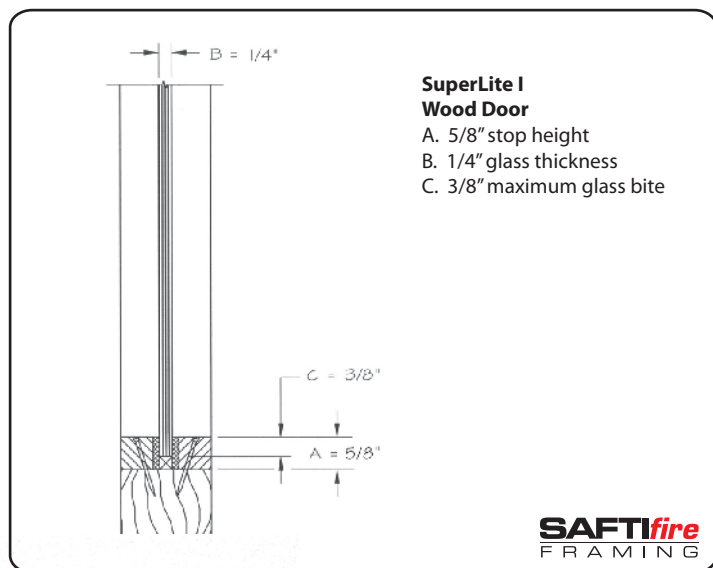
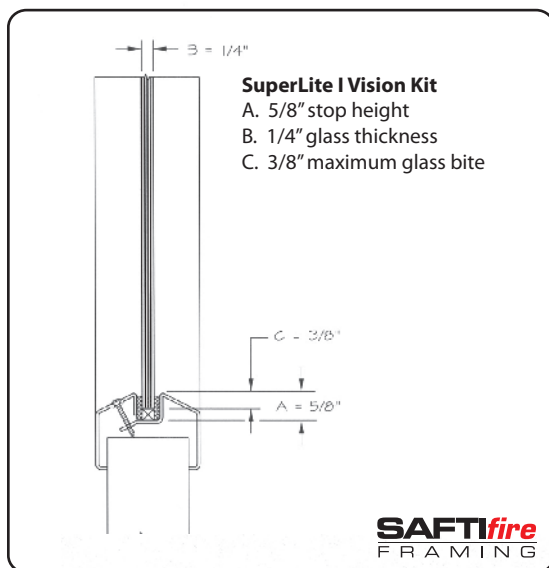
UBC 7-2, UBC STD 7-4, NFPA 252, NFPA 257, UL 9, UL 10B, UL 10C, ASTM E2074, ASTM E152, ASTM E2010, ASTM E163.

Delivery

Allow 5 days from confirmed order. Quick ship is available upon request.

Typical Framing for SuperLite I

Listed below are examples of typical framing options. Visit www.safti.com for downloadable 3-part specifications, full CAD details and a complete selection of SAFTI^{fire}™ Framing.



The information provided herein is for general reference only. SAFTI^{FIRST} has endeavored to provide current information and cannot warrant or be responsible for errors and omissions.